



**Equipment
North Inc.**

MANITOU MINER

First Forklift Truck Designed For Underground Materials Handling



EN **Equipment
North Inc.**

269 Fielding Road, Lively, Ontario, Canada P3Y 1L8
Tel. (705) 682-1120 Fax. (705) 682-2728

Lifting capacity:

2500 kg at 500mm from forks heel

Lifting height:

Standard free lift duplex mast:

2000/200 mm

Lifting speed unloaded/loaded: 42/38,2m/mm

Loaded lowering speed: 24m/mm

Tires:

Front: 34-975 x 18 26 ply

Rear: 28-90 x 12 22 ply

Forks:

Length: 1000 mm

Width x thickness: 125 x 40mm

Maximum width between forks: 1150mm

Brakes:

Service Brakes: hydrostatic drive with counter balance valve

Emergency: Micro caliper or rear differential driveline disc brake system spring applied hydraulically released and operates as ABA

Parking Brake: Internal shoe brakes on the front axle spring applied by hydraulically released cylinder over common rotating shaft

Hydraulics:

Main pump (gear type): 210 bar/541/mm

4RM20HP: gear type 90 bars/ 18.1/mm

Capacities:

Cooling system: 12 Ltr.

Motor oil: 4.5 Ltr.

Hydraulic oil: 55 Ltr.

Fuel or gas: 57 Ltr.

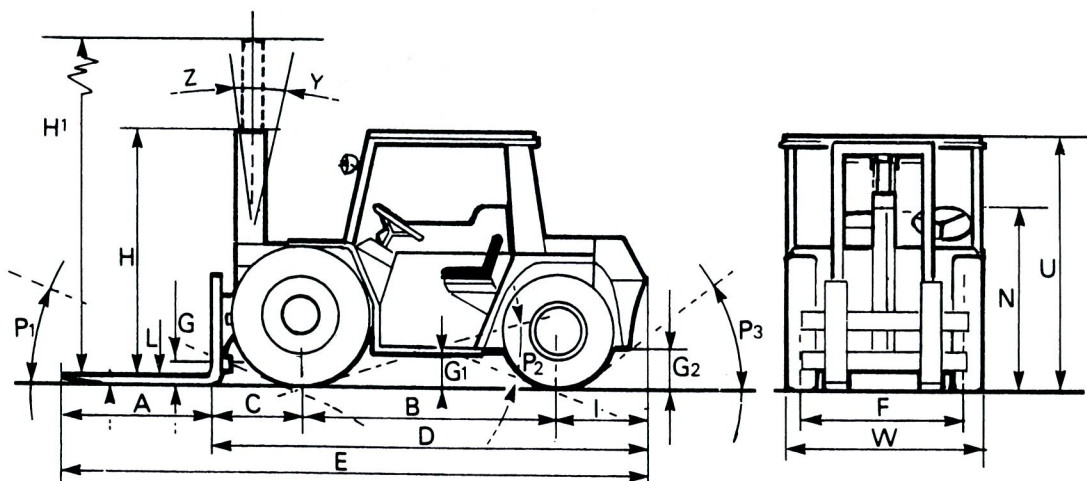
Weight (kg):

3620 with forks

- Four Wheel Drive
- Low profile - 72" overall height
- Diesel powered pre combustion engine
 - new 100 Series Perkins:
 - compact lightweight design - one side servicing
 - engine protection system - low noise - reliable
 - durable - new improved high purification efficiency
- Failsafe braking system
- Ramp approved
- Mine X - Diesel exhaust purifiers
- Exceptional ground clearance
- Hydrostatic steering and very short turning radius
- Large diameter driving and steering wheels

OPTIONS:

- Hydraulic Buckets
- Side Shifting Carriage
- Flip-up Forks
- Shot Crete Bag Handler



This document in no way constitutes an offer and the company reserves the right to alter specifications without prior notice.

	4RM20HP
	mm
A	1000
B	1803
C	700
D	3093
E	4093
F	1085
G	120
G1	240
G2	350
H	1750
H1	2650
I	590
K	1150
L	40
N	1170
O	125
P1	25°
P2	42°
P3	33°
R	3945
S	5925
T	2705
U	1850
V	4225
V1	2150
W	1355
Y	10°
Z	4°