



MINERSCOPIC

First Telescopic Truck Designed For Underground Materials



EN Equipment
North Inc.

269 Fielding Road, Lively, Ontario, Canada P3Y 1L8
Tel. (705) 682-1120 Fax. (705) 682-2728

BTI 220 - BTI 225 : 2 wheel drive
 BT 420 - BT 425: 4 wheel drive

BTI 225 - 425 : 2500 kg
 With integral
 industrial carriage

BTI 220 - BT 420 : 2000kg
 with quick
 fitting carriage



Capacity:

at 500 mm load centre
 BTI 220 - BT 420: 2000 kg
 BTI 225 - BT 425: 2500 kg
 Load at maximum height: 1030 kg



Lift height:

Maximum lift height: 4 m
 Lifting speed (laden/unladen):
 Boom up m/mm: 42/40
 Boom down m/mm: 51/52
 Telescoping out m/mm: 14/13,5
 Telescoping in m/mm: 26/25



Tire sizes:

Front Tire: 13/70/18
 IND LUG 26 ply
 Rear Tire: 28/9/12
 IND LUG 26 ply



Fork (mm):

Length: 1 070
 Width: 125
 Depth: 40
 - Quick disconnect from Forks to Bucket or jib



Brakes:

Service Brakes: hydrostatic drive with counter balance valve

Emergency: Micro caliper or rear differential driveline disc brake system spring applied hydraulically released and operates as ABA
Parking Brake: Internal shoe brakes on the front axle spring applied by hydraulically released cylinder over common rotating shaft



Engine:

PERKINS 104 - 19: 1995 cm³

Power:

40 HP DIN 6270 B: at 2800 rpm
 Max. torque: 11.9 m/kg at 2200 rpm
 Direct injection system
 Water cooling system



Transmission:

Hydrostatic
 Maximum speed: 20.5 km/h.



Steering:

Hydrostatic



Hydraulics:

Main pump: 250 bars / 531/mm
 steering pump: 140 bars / 22.51/mm



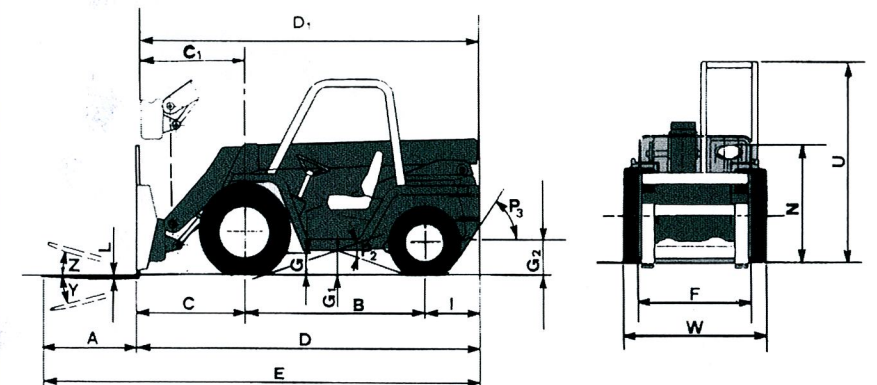
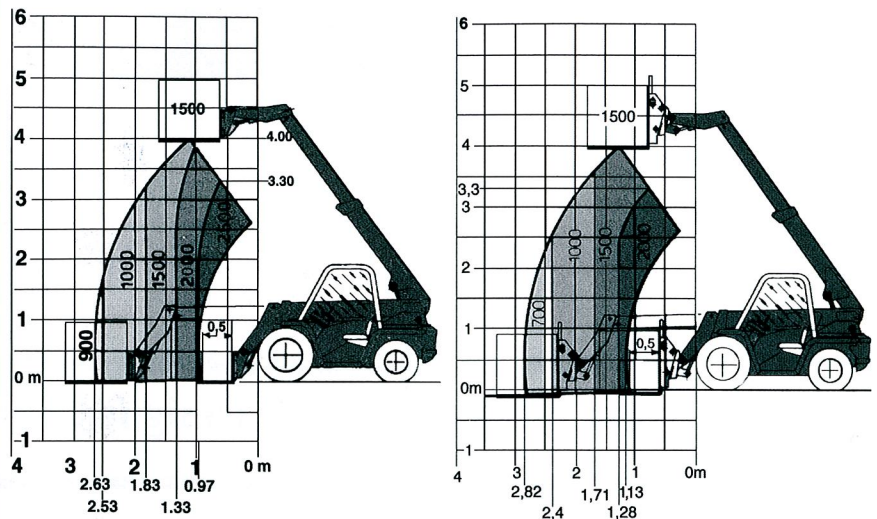
Capacities:

Cooling: 8l.
 Engine oil: 4.5 l.
 Hydraulic oil: 45 l.
 Fuel: 56 l.



Unladen weight:

with forks
 BTI 220 / 225: 4 440 kg
 BT 420 / 425: 4 480 kg



measurements in millimetres

	BTI 220 BTI 225	BT 420 BT 425
A	1070	1070
B	1800	1800
C	1050	1050
C ₁	945	945
D	3450	3450
D ₁	3345	3345
E	4520	4520
F	1210	1107
F ₁	1112	1112
G	245	245
G ₁	245	245
G ₂	300	300
I	600	600
J	640	640
K	1020	1020
L	40	40
N	1200	1200
O	125	125
P ₂	38°	38°
P ₃	40°	40°
R	2625	3500
S	5095	5800
T	2540	3142
U	1950	1950
V	2975	3750
V ₁	615	860
V ₂	2815	3630
W	1480	1436
Y	116°	116°
Z	12°	12°

