

Miner V4-6L Underground Articulating Loader/Backhoe

Equipment North's Miner V4-6L articulating loader is designed specifically to work in mine drifts and other constricted environments. It is small enough to be driven into many mine cages fully-assembled, or in especially small cages by disconnecting the loader arms. The loader is also fully approved for ramp use.

Keeping You Safe

With a triple-redundant failsafe braking system, fire resistant wiring, and oscillating rear axle, you can rest assured the Miner V4-6L will contribute to making your mine a safe work environment.



An oscillating rear axle ensures the unit stays stable, even in a tight turn.



Available as a loader or forklift with an optional backhoe, the Miner V4-6 is exceptionally versatile.



Intuitive controls and excellent visibility make Miner V4-6 contribute to increasing productivity,



Unit has been ramp tested, stability tested and meets all requirements for use underground.

Key Features

- Mine-approved triple-redundant braking system
- Mining-tire equipped
- 7,451 lbs lifting capacity
- High luminosity LED lighting
- Fire-resistant wiring
- Tight turning radius

Compact Size

At 6'6" tall and less than 4'5" wide, the Miner V4-6 can maneuver and work in areas that other forklifts cannot. The articulating axle ensures an extremely tight turning radius, while the oscillating rear axle keeps the unit stable, even in a tight turn.

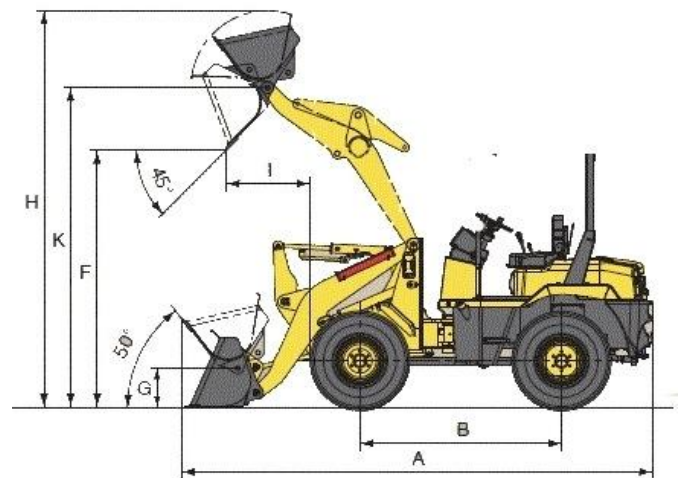
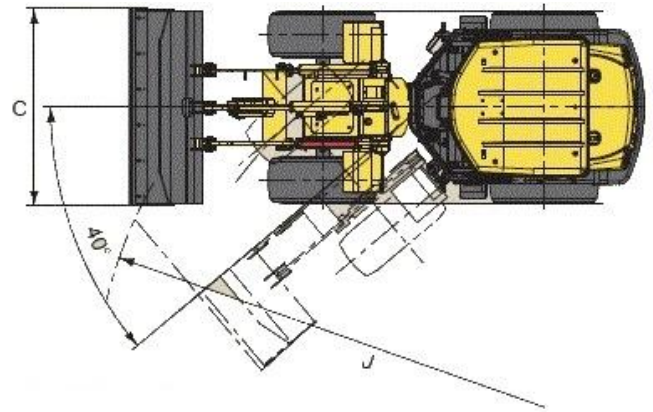
Available Options and Accessories

- Rail mounted backhoe attachment with vertical stabilizers
- Universal skid steer quick attach system allows you to use attachments from many manufacturers, such as bucket, forks, augers, sweepers and hydraulic breakers

Specifications

Engine Type	Water-cooled diesel
Engine Output	40.4 HP
Engine Displacement	2.189 L
Std Bucket Capacity	0.65 cu. yd (0.5 cu. m)
Operating Load	2,579 lbs
Lifting Capacity at Low End	7,451 lbs
Tipping Load (Straight)	5,976 lbs
Tipping Load (Full Turn)	5,158 lbs
Breakout Force	6,085 lbs
Dumping Clearance	8'
Oscillation Angle	+8°
Overall Width	4' 5"
Overall Height	6' 6"
Operating Weight	8,058 lbs
Brakes	Fully enclosed, wet, multiple disc
Tires	73023-3-TL
Drive	4-wheel drive
Transmission	Automatic hydrostatic
Steering	Center-pivot frame articulation with full hydraulic power

Dimension Reference Diagrams



A	14'5"
B	6'3"
C	5'7"
D	6'6"
E	4'1"
F	8'0"
G	1'0"
H	12'3"
I	2'7"
J	12'9"
K	9'11"

