

Equipment North's Minerscopic 1030 telescopic forklift is a rugged, long-reach unit built with robust components to withstand tough working conditions.

Safety First

With a certified ROPS/FOPS, catalytic exhaust, triple-redundant, failsafe braking system and fire-resistant wiring you can rest assured the Minerscopic 1030 will contribute to making your mine a safer work environment.



Unit is fully mine-approved in its standard configuration—no additional testing is necessary



Available with a wide variety of options and attachments



Key Features

- Mine-approved triple-redundant braking system
- Mining-tire equipped
- High luminosity LED lighting
- Fire-resistant wiring
- Certified ROPS/FOPS
- Fire-suppression system

Capacity and Reach in a Compact Package

With over 32' lift height and over 6600 lbs carrying capacity, the Minerscopic 1030 has many of the features of larger forklifts while maintaining the usability of smaller units.

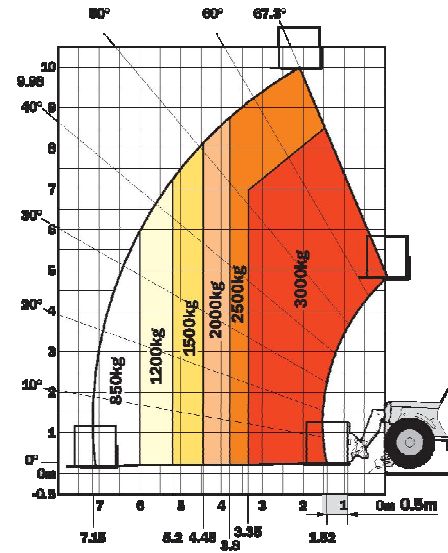
Available Options and Accessories

- Fully enclosed cab with A/C and heat or steel grill enclosure
- 500 lbs or 3500 lbs capacity quick-attach manbasket
- Variety of hydraulic and fixed quick-attach jib booms
- Wide selection of buckets and forks

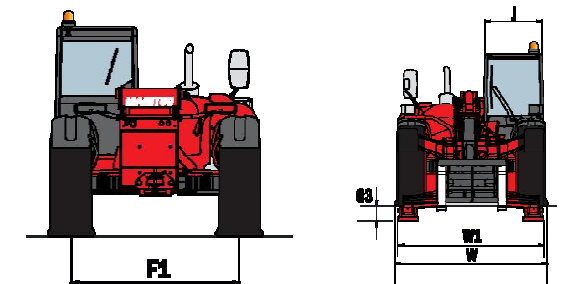
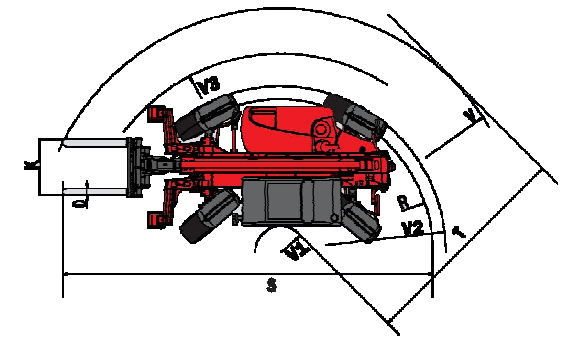
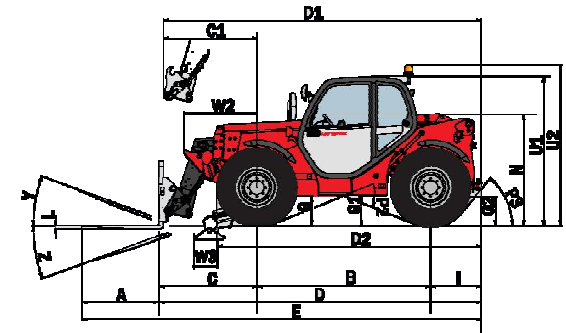
Specifications

Engine Type	Water-cooled diesel
Engine Output	100 HP
Engine Displacement	268 cu. in.
Capacity	6,613 lbs
Max. Lift Height	32'8"
Min. Turning Radius	12'3"
Ground Clearance	1'5"
Dimensions	7'6"H x 7'5"W x 16'4"L
Operating Weight	16,468 lbs
Service Brake	Enclosed wet disc in front axle
Emergency Brake	Enclosed wet disc driveline brake
Parking Brake	Mechanically operated driveline brakes
Tires	1220 x 20 mining tire
Drive	4-wheel drive
Transmission	Torque converter
Max Travel Speed	25 km/h
Carriage Rotation	126°

Load Chart



Dimension Reference Diagrams



Dimensions

A	3'11"	G	1'5"	O	4"	V1	4'3"
B	8'9"	G1	1'5"	P2	44°	V2	12'3"
C	4'11"	G2	1'5"	P3	53°	V3	13'9"
C1	5'3"	G3	8"	R	11'7"	W	7'5"
D	16'4"	I	2'7"	S	25'7"	W1	7'3"
D1	16'8"	J	2'10"	T	11'11"	W2	3'8"
D2	13'4"	K	3'4"	U1	7'6"	W3	1'1"
E	20'3"	L	1"	U2	8'4"	Y	12°
F	6'0"	N	5'6"	V	16'2"	Z	114°